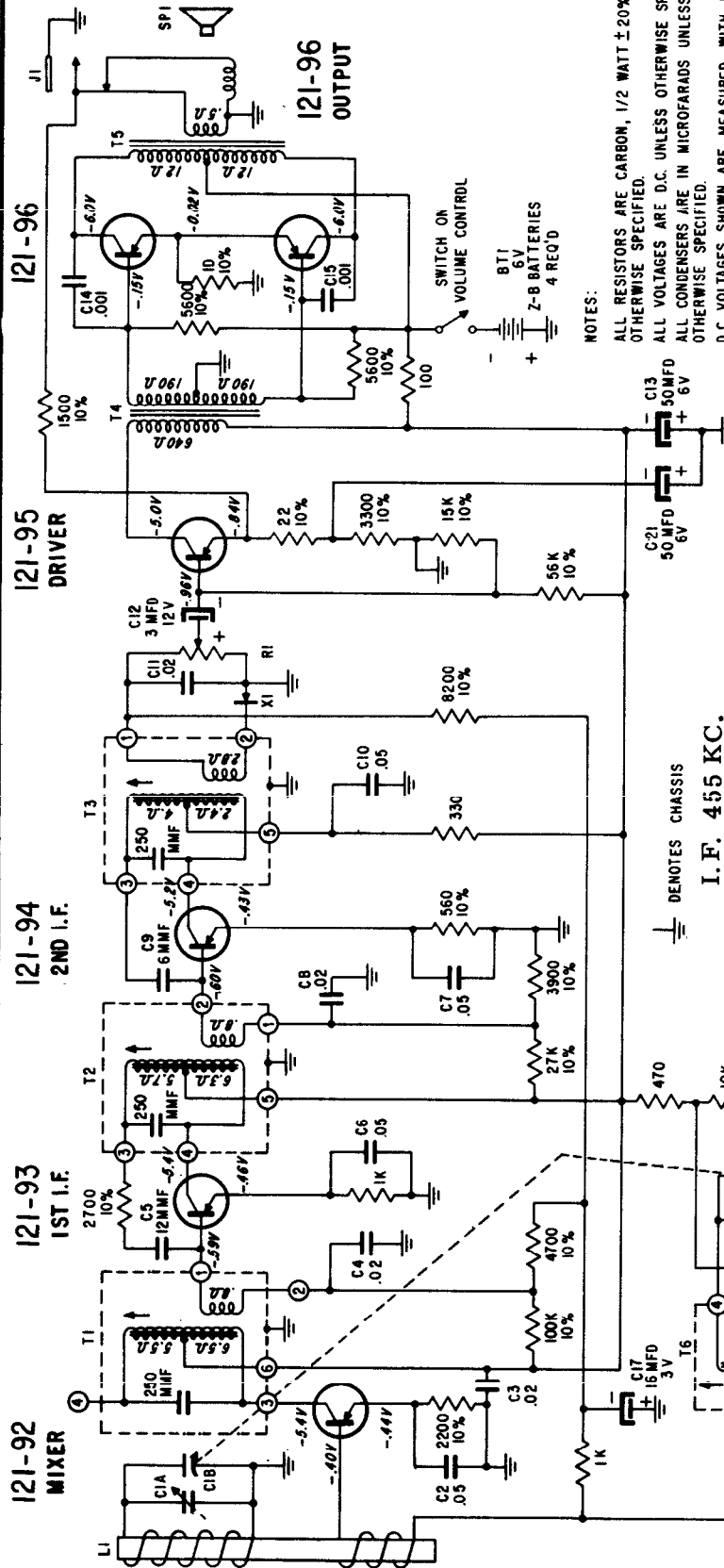


SCHEMATIC DIAGRAM FOR 7AT48Z

VOLUME R-19, MOST-OFTEN-NEEDED 1959 RADIO

ZENITH RADIO Model "ROYAL 200"
Chassis 7AT48Z, 7AT48Z2, 7AT48Z4



NOTES:
ALL RESISTORS ARE CARBON, 1/2 WATT ±20% UNLESS OTHERWISE SPECIFIED.
ALL VOLTAGES ARE D.C. UNLESS OTHERWISE SPECIFIED.
ALL CONDENSERS ARE IN MICROFARADS UNLESS OTHERWISE SPECIFIED.
D.C. VOLTAGES SHOWN ARE MEASURED WITH NO SIGNAL USING AN A.C.-D.C. OR VACUUM TUBE VOLTMETER.

CHASSIS INFORMATION CHART

Chassis	Transistor Layout Label Color	Part No.	Mixer	Osc.	1st I.F.	2nd I.F.	Crystal Diode Detector	Driver	Output-Output	Supplier
7AT48Z	Red 102-4234 or 102-4861	Zenith RE/TMA Type	121-92 2N485 PNP	121-91 2N483 PNP	121-93 2N483 PNP	121-94 2N482 PNP	103-19 1N87G	121-95 2N362 PNP	121-96 Matched Pair PNP	Raytheon
7AT48Z2	Black 102-4007 or 102-4862	Zenith RE/TMA Type	121-62 2N411 PNP	121-65 2N409 PNP	121-73 2N409 PNP	121-74 2N409 PNP	103-19 1N87G	121-64 PNP	Matched Pair PNP	R.C.A.
7AT48Z4	Green 102-4235	Zenith RE/TMA Type	121-83 2N414 PNP	121-82 2N413 PNP	121-79 2N413A PNP	121-80 2N413A PNP	103-19 1N87G	121-81 2N383 PNP	121-84 2N383 Matched Pair	Tung Sol

⊥ DENOTES CHASSIS
I. F. 455 KC.

