

ZENITH RADIO CORP.

MODELS ROYAL 40-50K-60

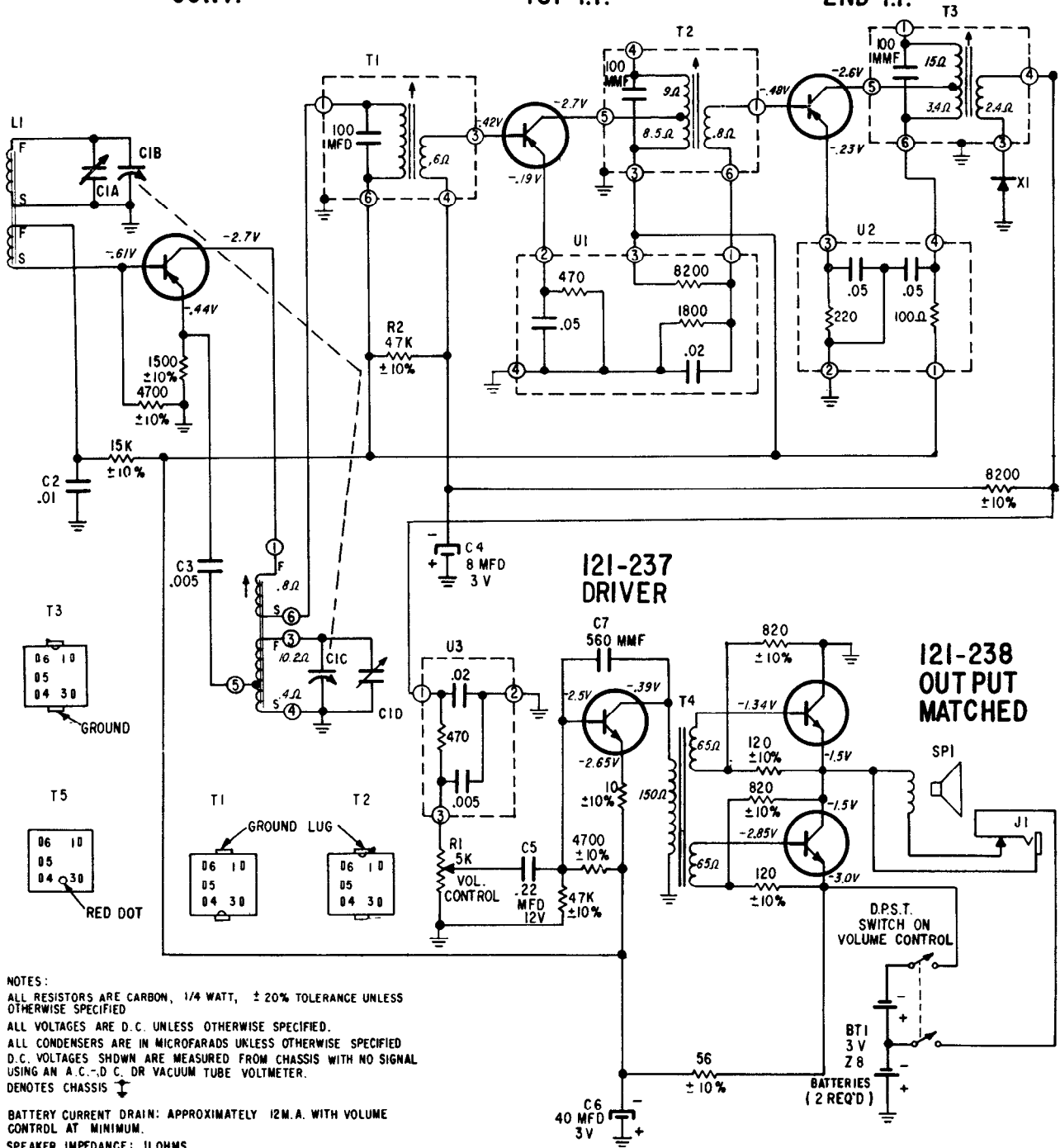
CHASSIS 6KT43Z1 & 6KT44Z1

(For chassis wiring view see next page adjacent at right)

121-234
CONV.

121-235
1ST I.F.

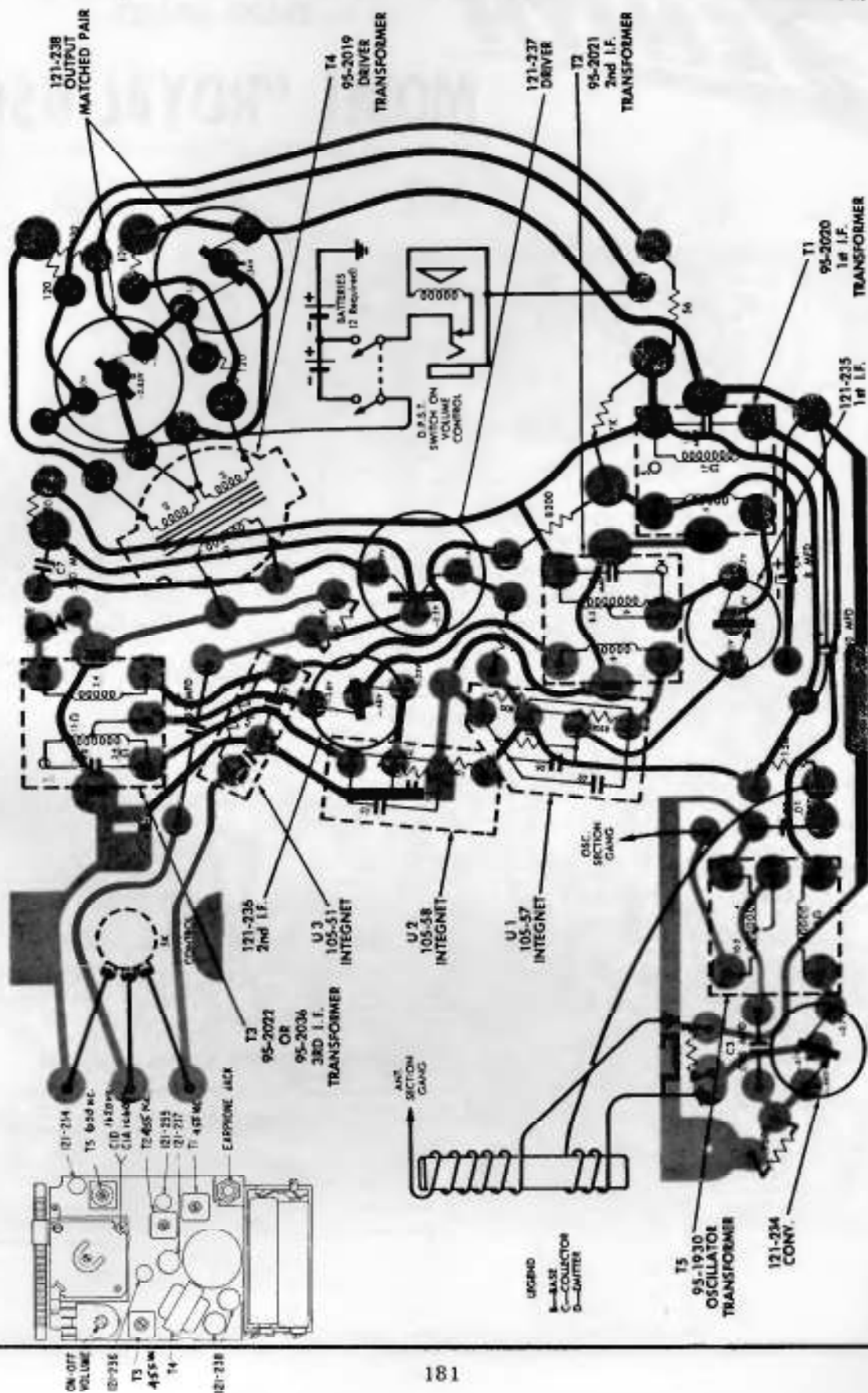
121-236
2ND I.F.



NOTES:
 ALL RESISTORS ARE CARBON, 1/4 WATT, ± 20% TOLERANCE UNLESS OTHERWISE SPECIFIED.
 ALL VOLTAGES ARE D.C. UNLESS OTHERWISE SPECIFIED.
 ALL CONDENSERS ARE IN MICROFARADS UNLESS OTHERWISE SPECIFIED.
 D.C. VOLTAGES SHOWN ARE MEASURED FROM CHASSIS WITH NO SIGNAL USING AN A.C.-D.C. OR VACUUM TUBE VOLTMETER.
 DENOTES CHASSIS ⚬

BATTERY CURRENT DRAIN: APPROXIMATELY 12M.A. WITH VOLUME CONTROL AT MINIMUM.
 SPEAKER IMPEDANCE: 11 OHMS

ZENITH Models 40, 50K, 60, Chassis 6KT43Z1, 6KT44Z1 (Continued)



VIEWED FROM WIRING SIDE

CHASSIS, WIRING AND COMPONENTS