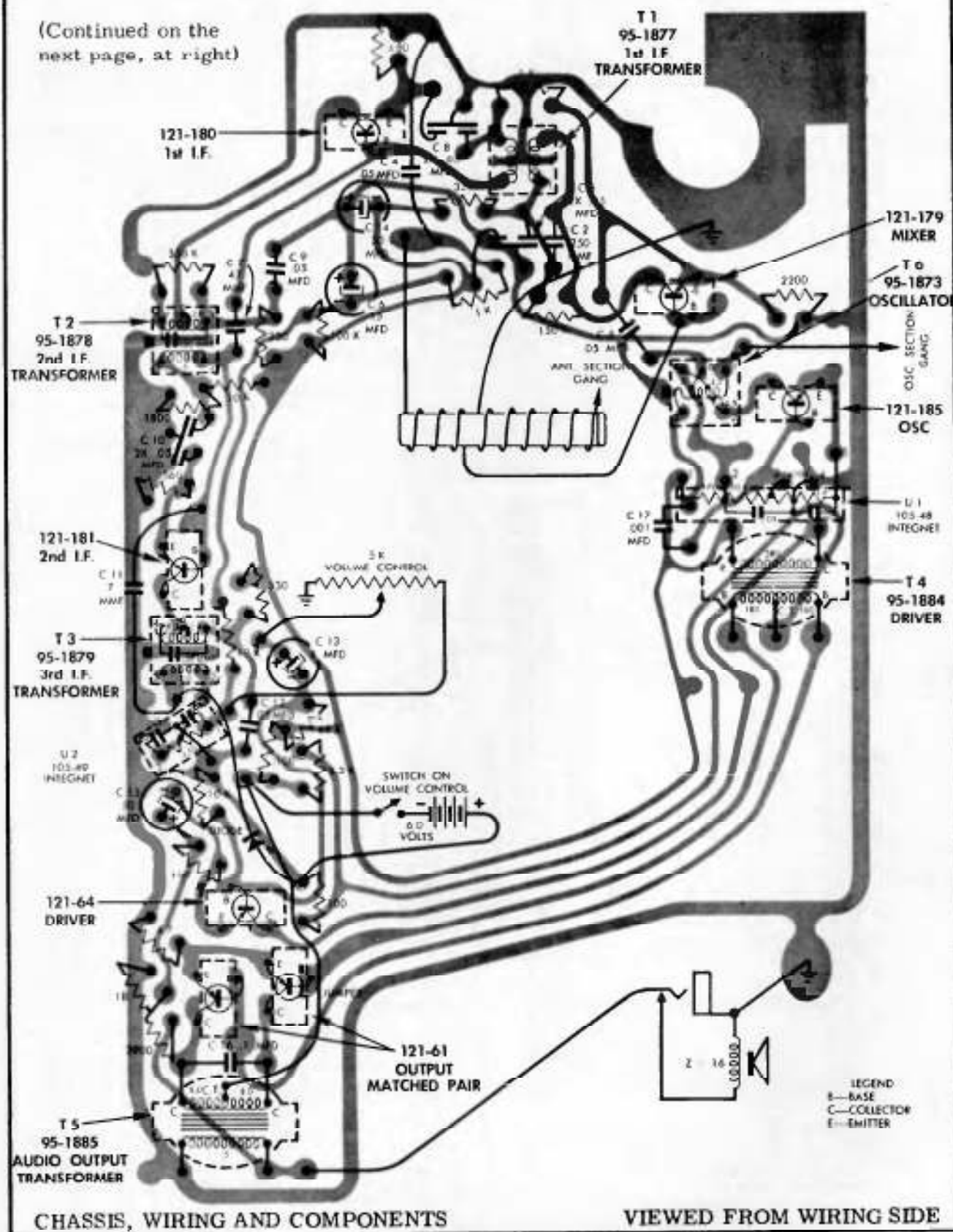


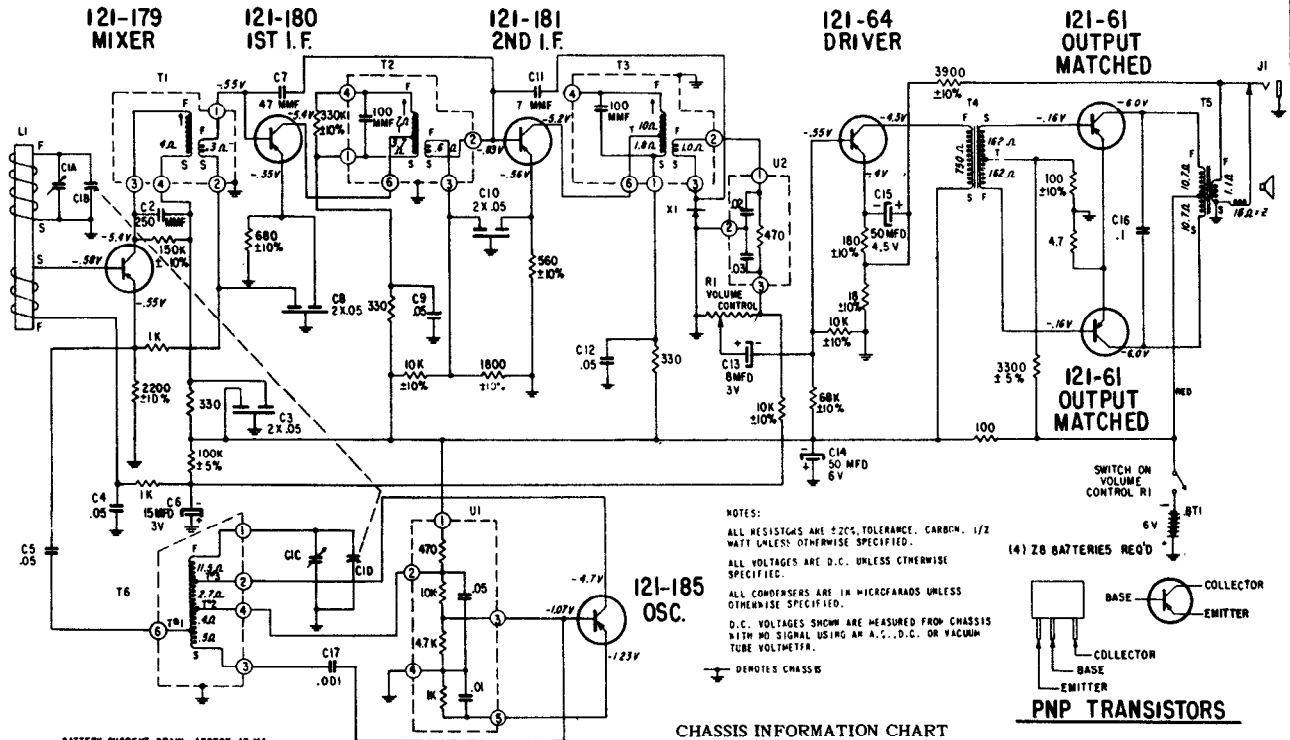
ZENITH RADIO Model Royal 400, Chassis 7GT40Z2, Continued

(Continued on the next page, at right)



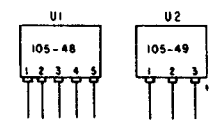
VOLUME R-22, MOST-OFTEN-NEEDED 1962 RADIO SERVICING INFORMATION

ZENITH RADIO Model Royal 400, Chassis 7GT40Z2, Continued



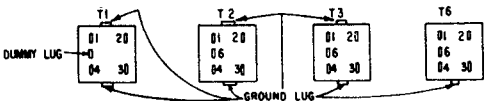
BATTERY CURRENT DRAIN: APPROX. 12 MA. WITH VOLUME CONTROL AT MIN.

ON U1 AND U2 LEADS, LINE UP ACCORDING TO THE PART NO. AS SHOWN



CHASSIS INFORMATION CHART

Chassis	Chassis Color Dot	Transistor Layout Label Color	Part No.	Mixer	Osc.	1st I.F.	2nd I.F.	Crystal Diode Detector	Driver	Output-Supplier	R.C.A.
7GT40Z2	Black	Black	Zenith RETMA Type	121-179 2N1527 PNP	121-185 2N1525 PNP	121-80 2N1525 PNP	121-181 2N1525 PNP	103-19 1N87G	121-64 2N407 PNP	121-61 2N407 PNP	R.C.A.



This transistor portable chassis is a conventional superheterodyne receiver using an individual mixer and oscillator to produce the 455Kc intermediate frequency. The first and second intermediate frequency amplifiers are conventional. A (103-19) is used as the diode detector and AVC voltage source. This is then followed by a driver stage and a class "B" push-pull output stage. As you can see from the chart, the chassis uses a pair of matched transistors in the final output stage and therefore should one transistor fail, both transistors must be replaced simultaneously as chances are they will not perform properly unless so matched.

ALIGNMENT PROCEDURE

Operation	Input Signal Frequency	Connect Inner Conductor From Oscillator To	Connect Outer Shield Conductor From Oscillator To	Set Dial At	Trimmers
1	455 KC	ONE TURN LOOSELY COUPLED TO WAVEMAGNET	Chassis	600 KC	Adj. T1, T2, T3 for maximum output.
2	1620 KC			Gang wide open.	C1C
3	535 KC			Gang Closed	Adjust slug in T6
4	REPEAT STEPS 2 & 3			—	—
5	1260 KC			—	1260 KC

