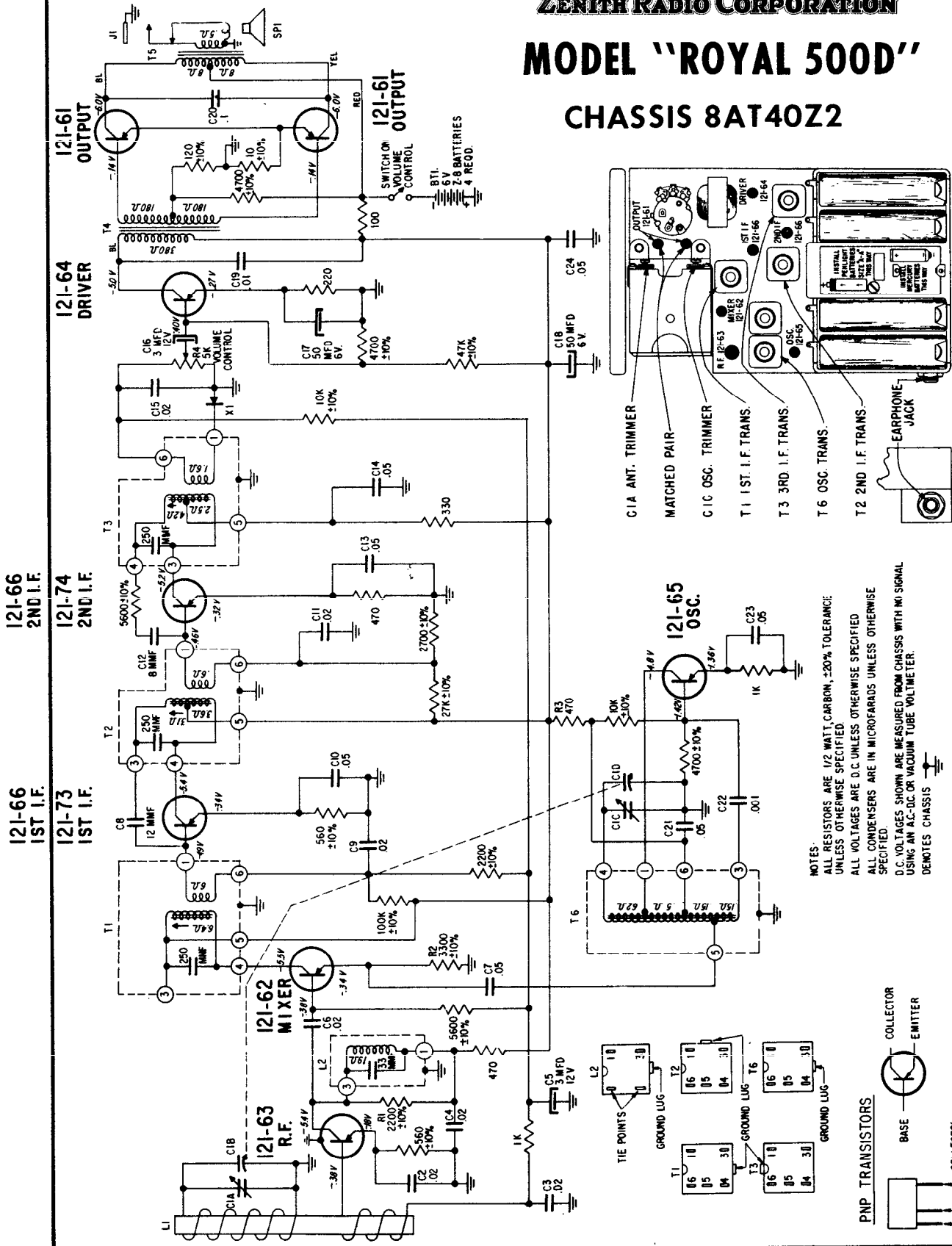


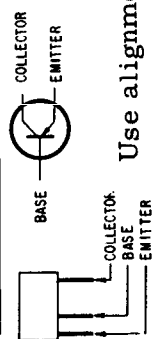
ZENITH RADIO CORPORATION

MODEL "ROYAL 500D"

CHASSIS 8AT40Z2



NOTES:
 ALL RESISTORS ARE 1/2 WATT, CARBON, ±20% TOLERANCE UNLESS OTHERWISE SPECIFIED
 ALL VOLTAGES ARE D.C. UNLESS OTHERWISE SPECIFIED
 ALL CONDENSERS ARE IN MICROFARADS UNLESS OTHERWISE SPECIFIED
 D.C. VOLTAGES SHOWN ARE MEASURED FROM CHASSIS WITH NO SIGNAL USING AN A.C.-D.C. OR VACUUM TUBE VOLTMETER.
 ⏏ DENOTES CHASSIS GROUND



TRANSISTOR & TRIMMER LAYOUT FOR CHASSIS 8AT40Z2 USING 121-66 TRANSISTORS

Use alignment table on page 182 for this model also.