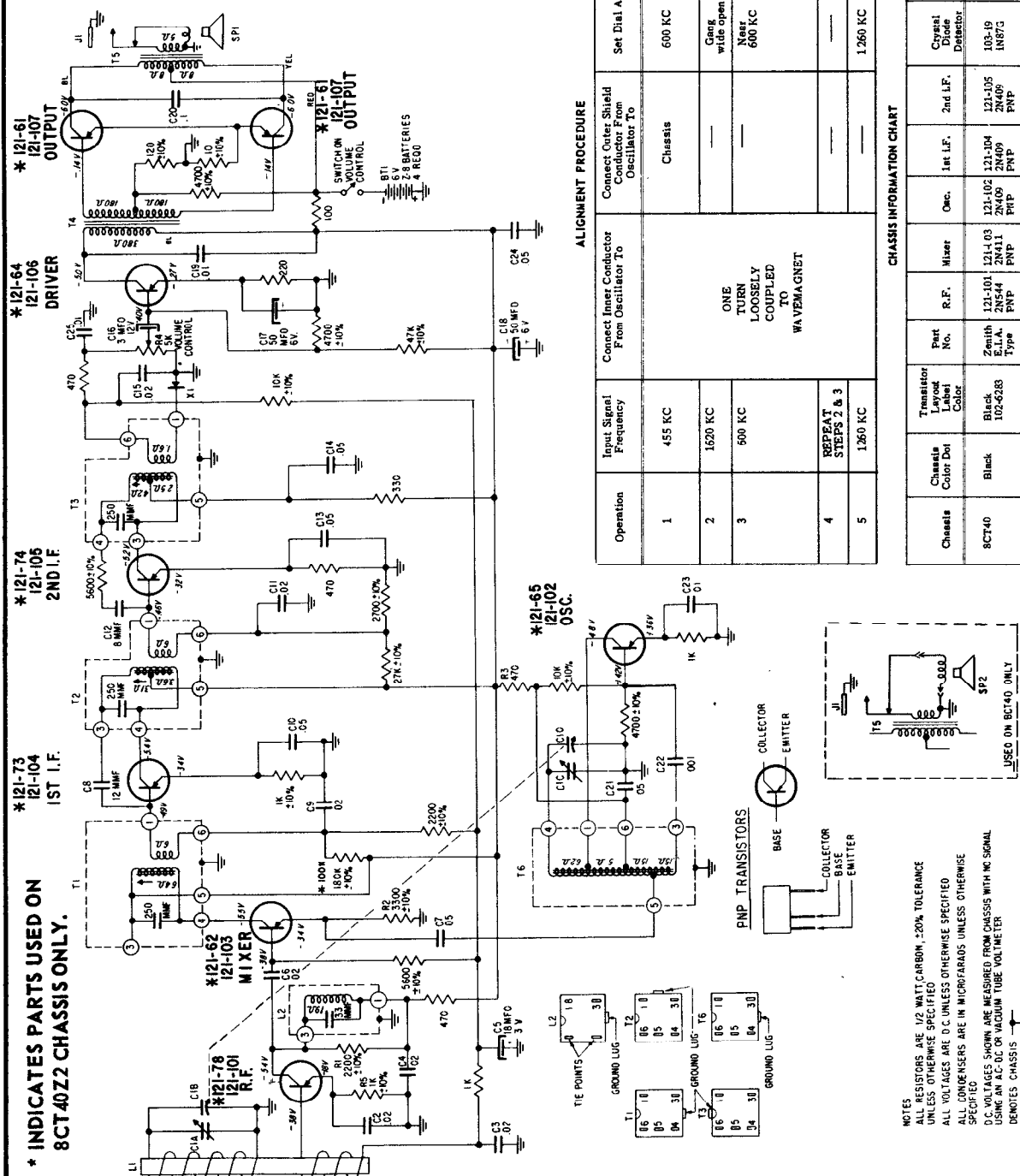


ZENITH RADIO CORP. Model "Royal 500E" -- Chassis 8CT40, 8CT40Z2

(Continued on page 182)

These transistor portable chassis are conventional superheterodyne receivers. They use an untuned R.F. stage with an individual mixer and oscillator to produce the 455 Kc intermediate frequency. Chassis 8CT40 and 8CT40Z2 are virtually identical except for different transistors and a few other parts. The parts marked with asterisks on the chassis wiring and component drawing apply only to chassis 8CT40Z2.



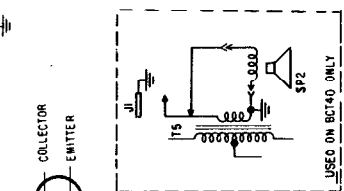
* INDICATES PARTS USED ON 8CT40Z2 CHASSIS ONLY.

ALIGNMENT PROCEDURE

Operation	Input Signal Frequency	Connect Inner Conductor From Oscillator To	Connect Outer Shield Conductor From Oscillator To	Set Dial At	Trimmers	Purpose
1	455 KC	ONE TURN LOOSELY COUPLED TO WAVEMAGNET	CHASSIS	600 KC	Adj. T1, T2 T3 for maximum output.	For I.F. Alignment
2	1620 KC			Clear wide open	C1C	Set oscillator to dial scale.
3	500 KC			Near 600 KC	Adjust slug in T6	Adjust T6 for maximum output. Tune T6 for maximum output regardless of dial accuracy.
4	REPEAT STEPS 2 & 3					
5	1260 KC			1260 KC	C1A	Align loop ant.

CHASSIS INFORMATION CHART

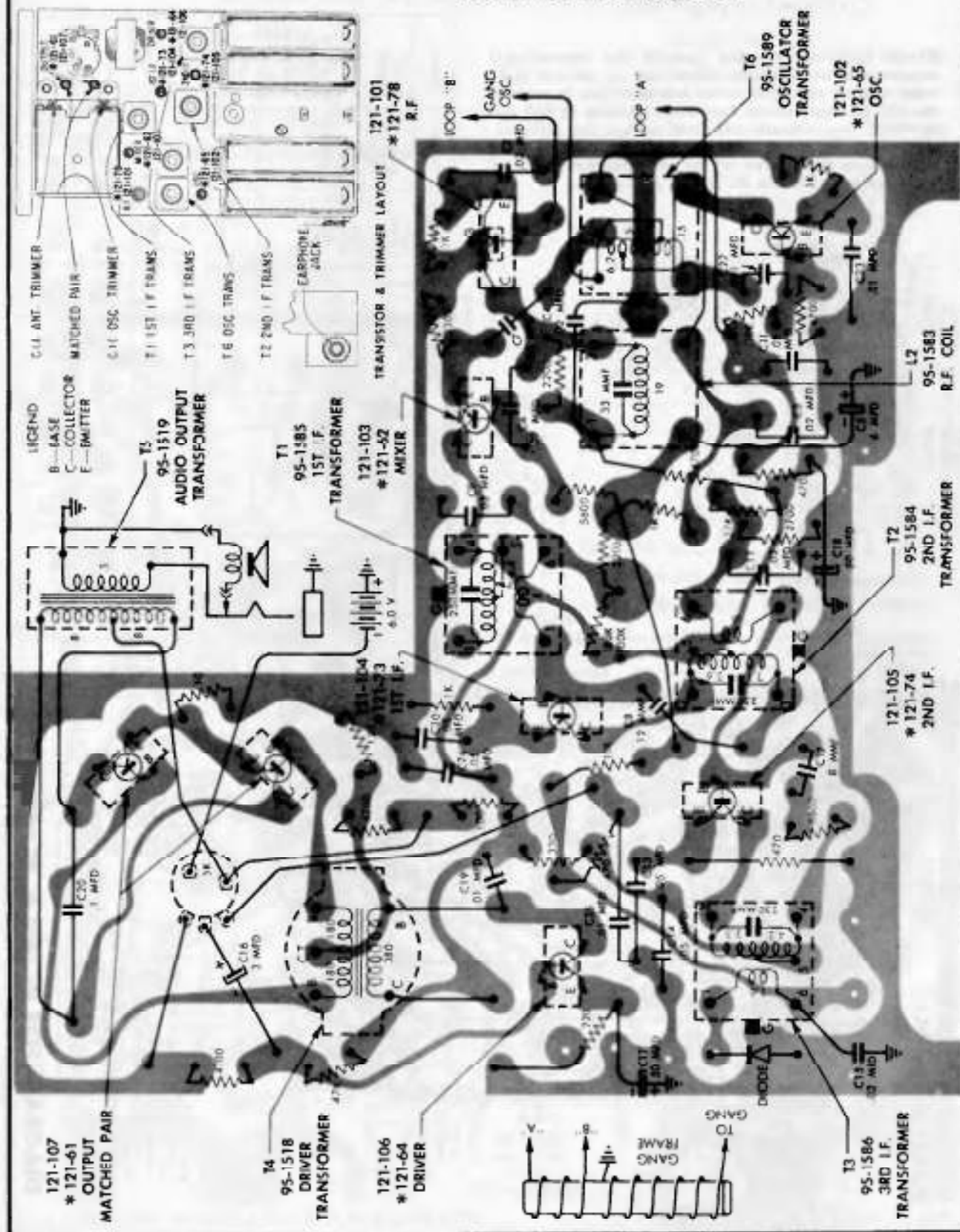
Chassis	Chassis Color Dot	Transistor Layout Label Color	Part No.	R.F.	Mixer	Osc.	1st I.F.	2nd I.F.	Detector	Driver	Output-Output	Supplier
8CT40	Black	Black 102-6283	Zenith E.I.A. Type	121-101, 121-104 PNP	121-101, 121-103 PNP	121-102, 121-109 PNP	121-102, 121-104 PNP	121-105, 2N409 PNP	121-106, 2N407 IN87G	121-106, 2N407 PNP	121-07, 2N407 Matched Pair PNP	Sylvania
*8CT40Z2	Red	Red 102-5720	Zenith E.I.A. Type	121-78, 121-79 PNP	121-62, 121-64 PNP	121-65, 2N409 PNP	121-73, 2N409 PNP	121-74, 2N409 PNP	103-19, 121-19 IN87G	121-64, 2N407 PNP	121-61, 2N407 Matched Pair PNP	R.C.A.



NOTES:
 ALL RESISTORS ARE 1/2 WATT, CARBON, ±20% TOLERANCE UNLESS OTHERWISE SPECIFIED
 ALL VOLTAGES ARE D.C. UNLESS OTHERWISE SPECIFIED
 ALL CONDENSERS ARE IN MICROFARADS UNLESS OTHERWISE SPECIFIED
 D.C. VOLTAGES SHOWN ARE MEASURED FROM CHASSIS WITH NO SIGNAL USING AN A.C.-D.C. OR VACUUM TUBE VOLTMETER
 DENOTES CHASSIS

DIAGRAM FOR 8CT40 & 8CT40Z2

ZENITH RADIO CORP. Model "Royal 500E" - Chassis 8CT40, 8CT40Z2
(Continued from page 181)



VIEWED FROM WIRING SIDE

CHASSIS, WIRING AND COMPONENTS