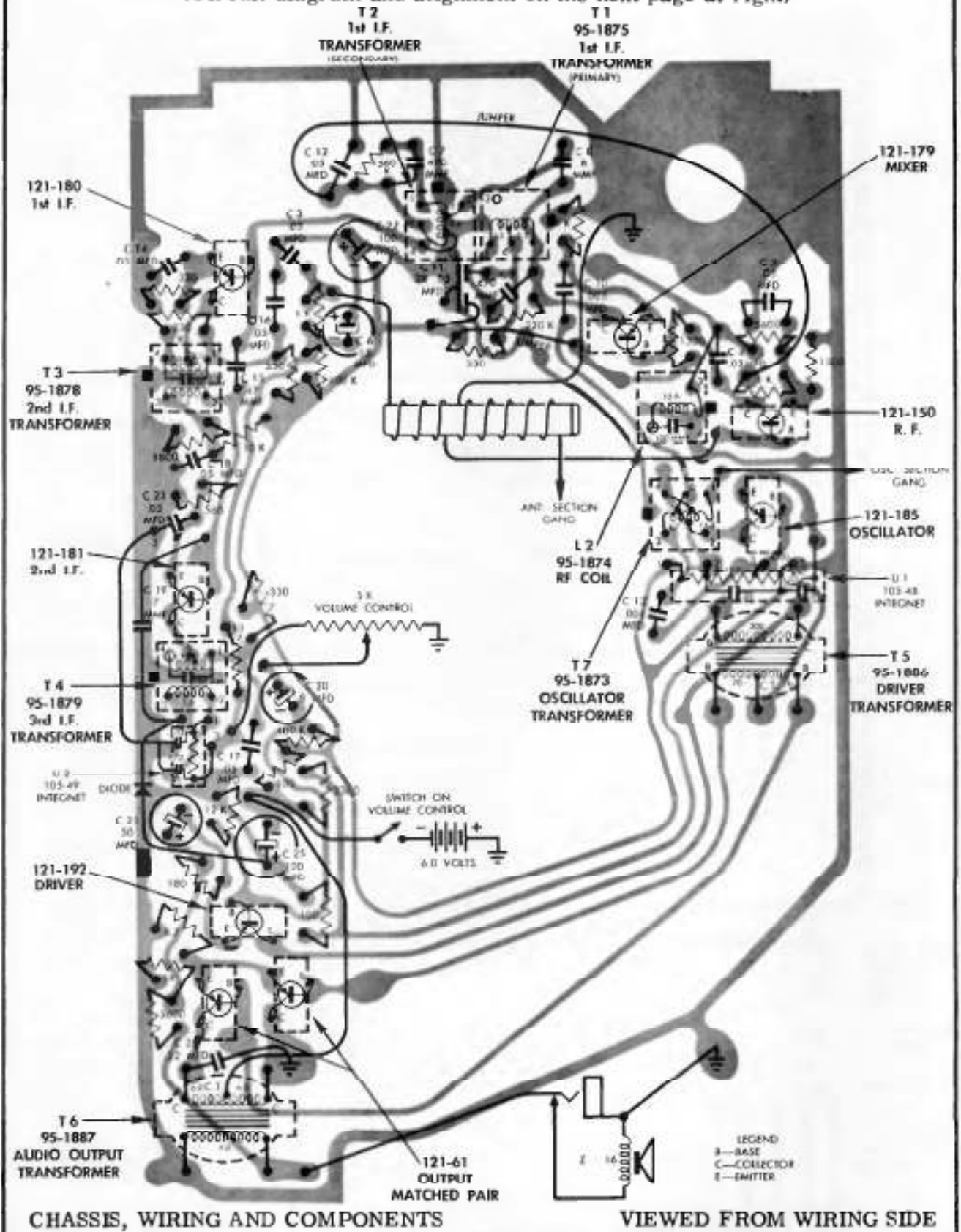


VOLUME R-22, MOST-OFTEN-NEEDED 1962 RADIO SERVICING INFORMATION

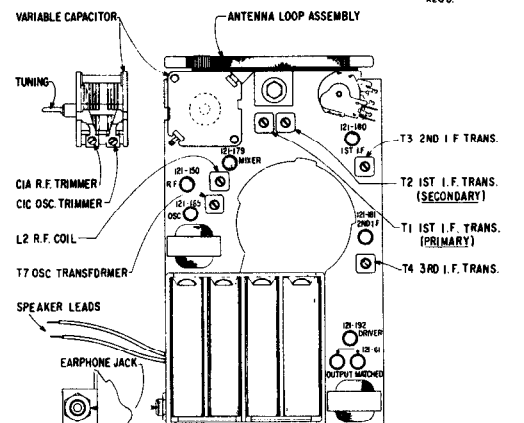
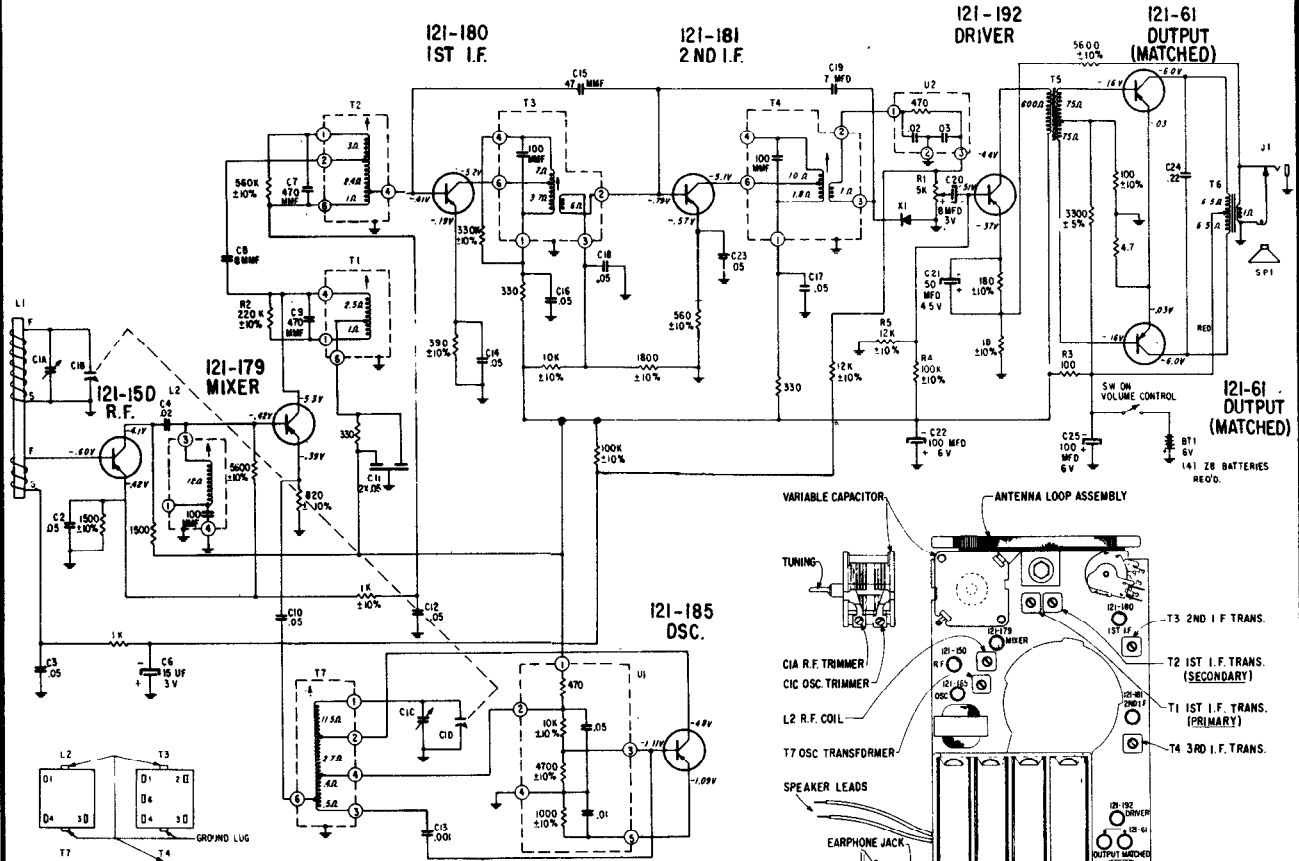
ZENITH RADIO Model Royal 500H, Chassis 8HT40Z2

(Circuit diagram and alignment on the next page at right)



VOLUME R-22, MOST-OFTEN-NEEDED 1962 RADIO SERVICING INFORMATION

ZENITH RADIO Model Royal 500H, Chassis 8HT40Z2, Continued



TRANSISTOR & TRIMMER LAYOUT

NOTES:
 ALL EXISTING ARE 1/2 WATT, CARBON & 25% TOLERANCE UNLESS OTHERWISE SPECIFIED.
 ALL VOLTAGES ARE D.C. UNLESS OTHERWISE SPECIFIED.
 ALL CONDENSERS ARE IN MICROFARADS UNLESS OTHERWISE SPECIFIED.
 D.C. VOLTAGES SHOWN ARE MEASURED FROM CHASSIS WITH NO SIGNAL USING AN A.C.-D.C. OR VACUUM TUBE VOLTMETER.
 DUNLOP CHASSIS
 BATTERY CURRENT DRAIN APPROX. 15 MA WITH VOLUME CONTROL AT MINIMUM
 SPEAKER IMPEDANCE 16 OHMS

ALIGNMENT PROCEDURE

Operation	Input Signal Frequency	Connect Inner Conductor From Oscillator To	Set Dial At	Trimmers	Purpose
1	455 KC	ONE TURN LOOSELY COUPLED TO WAVEMAGNET	600 KC	Adj. T1, T2, T3, T4 for Maximum output	For I.F. Alignment
2	455 KC		600 KC	Adj. L2 for Minimum output	Tune Trap to IF Frequency
3	1620 KC		Gang Wideopen	C1C	Set Oscillator To Dial Scale
4	600 KC		Near 600	Adjust slug in T7	Adjust T6 for Maximum output while rocking gang. Tune T5 for Maximum output regardless of dial accuracy
5	Repeat Steps 3 & 4				
6	1260 KC		1260 KC	C1A	Align Loop Antenna

CHASSIS INFORMATION CHART

Chassis	Transistor Layout Label Color	Part No.	R.F.	Mixer	Osc.	1st I.F.	2nd I.F.	Xtal diode detector	Driver	Output	Supplier R C A
8HT40Z2	Black 102-8202	Zenith E.I.A. Type	I21-150 2N1631 PNP	I21-179 2N152T PNP	I21-185 2N152S PNP	I21-180 2N152S PNP	I21-181 2N152S PNP	X03-19 8N87G	I21-192 2N407 PNP	I21-61 2N407 PNP	