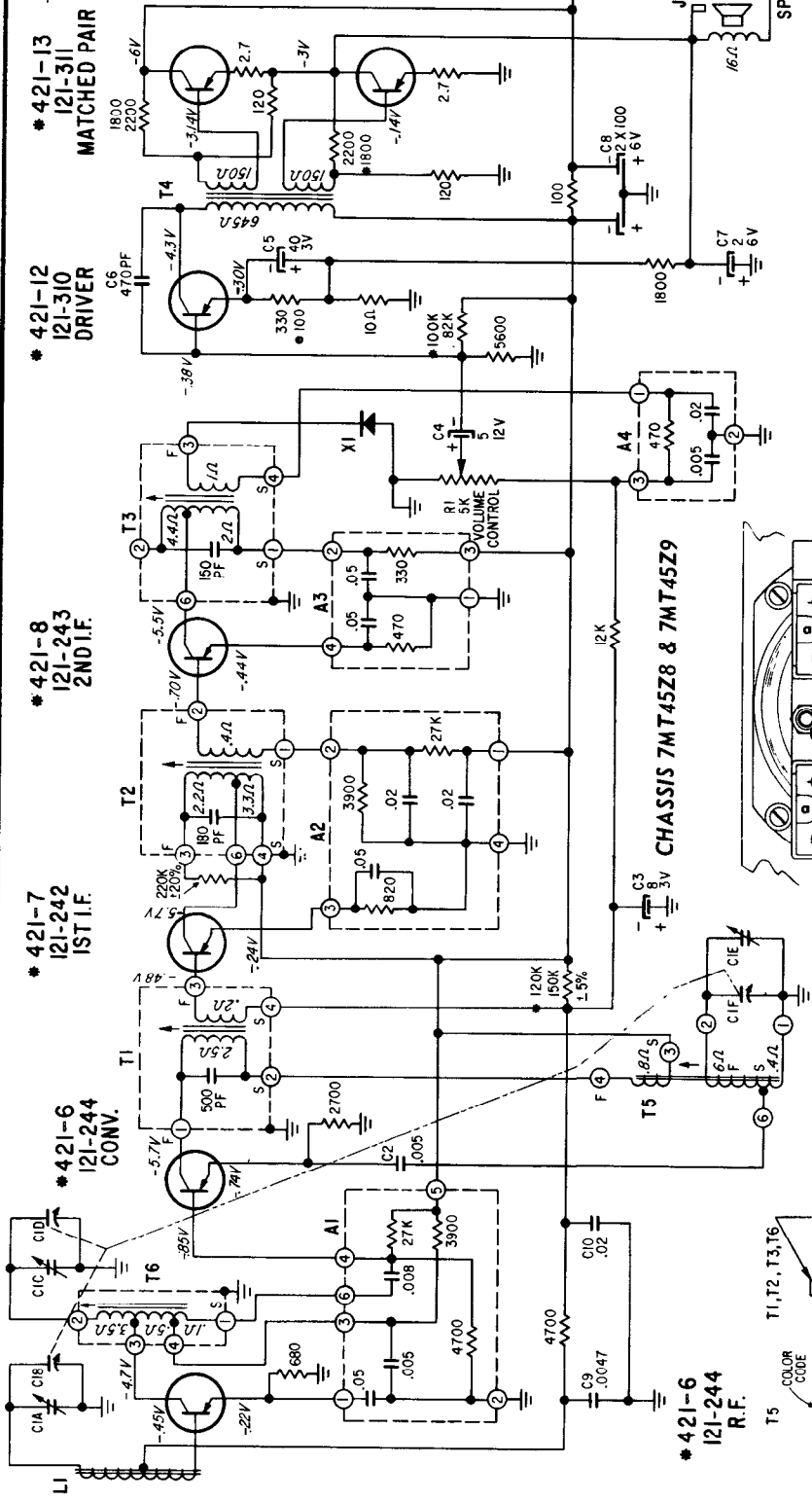


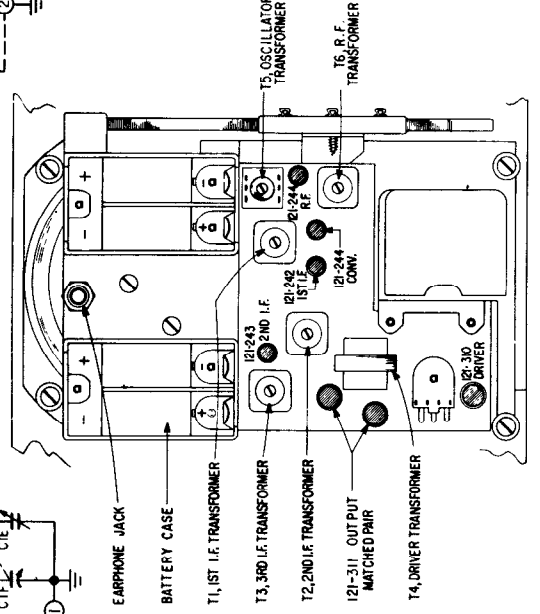
VOLUME R-26, MOST-OFTEN-NEEDED 1966 RADIO SERVICING INFORMATION

ZENITH RADIO
Model "Royal 705M"
Chassis 7MT45Z8, 7MT45Z9



NOTES:
ALL RESISTORS ARE CARBON 1/2 WATT. 10% TOLERANCE UNLESS OTHERWISE SPECIFIED.
ALL VOLTAGES ARE D.C. UNLESS OTHERWISE SPECIFIED.
ALL CAPACITORS ARE IN MICROFARADS UNLESS OTHERWISE SPECIFIED.
D.C. VOLTAGES SHOWN ARE MEASURED FROM CHASSIS WITH NO SIGNAL USING A VACUUM TUBE VOLTMETER HAVING 11 MEGOHMS INPUT RESISTANCE.
DENOTES CHASSIS

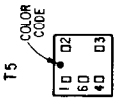
BATTERY CURRENT DATA APPROX. 12MA WITH VOLUME CONTROL AT MINIMUM.
SPEAKER IMPEDANCE 16 Ω AT 400 CPS.
* USED ON CHASSIS 7MT45Z9



CHASSIS 7MT45Z8 & 7MT45Z9

ZENITH RADIO
Model "Royal 705M"
Chassis 7MT45Z8, 7MT45Z9

*421-6
12I-244
R.F.



IF 455 KC. PNP TRANSISTORS

