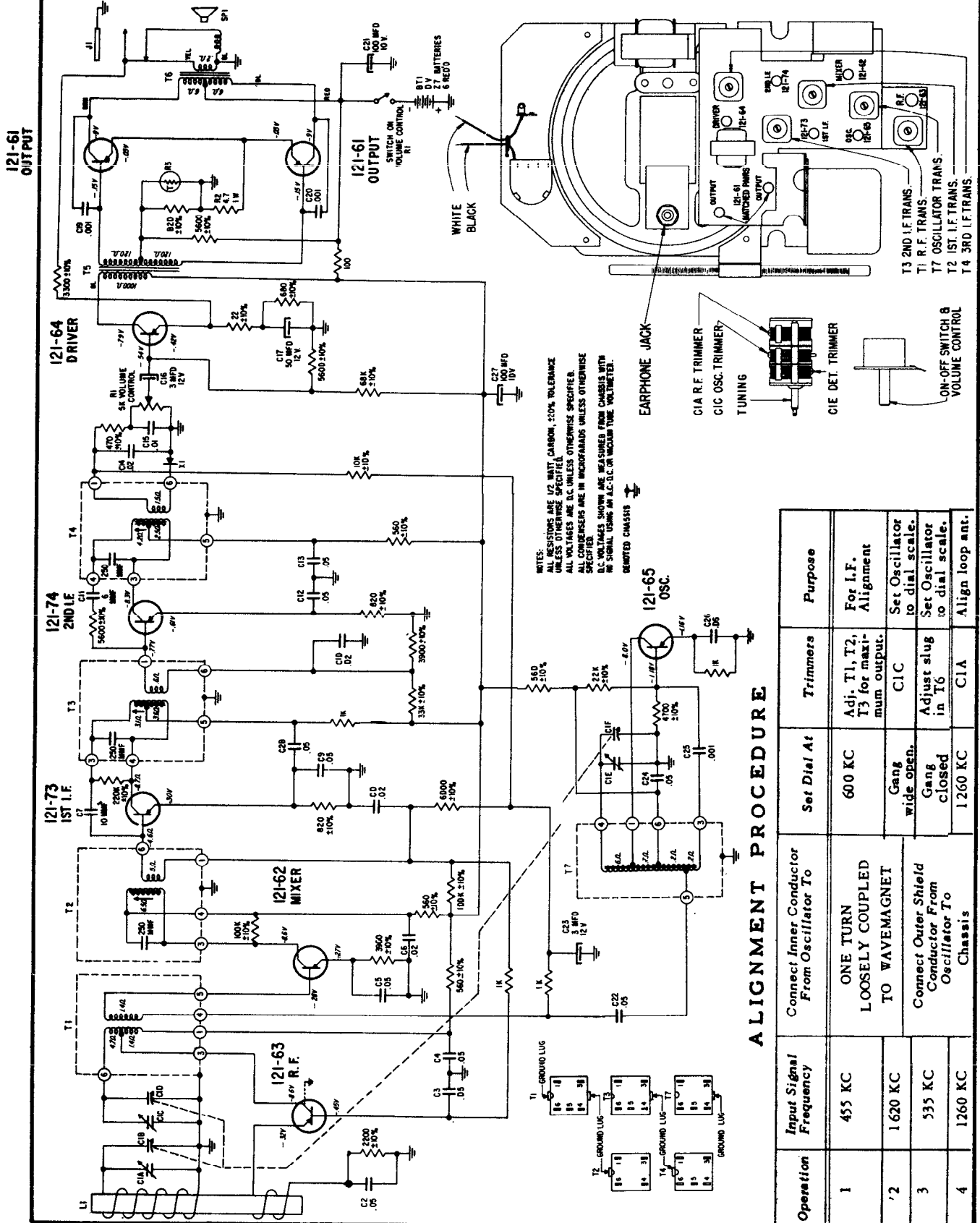


**ZENITH RADIO CORPORATION**

Model "Royal 750L" -- Chassis 8AT41Z2



**ALIGNMENT PROCEDURE**

Operation	Input Signal Frequency	Connect Inner Conductor From Oscillator To	Set Dial At	Trimmers	Purpose
1	455 KC	ONE TURN LOOSELY COUPLED TO WAVEMAGNET	600 KC	Adj. T1, T2, T3 for maximum output.	For I.F. Alignment
2	1620 KC	Connect Outer Shield Conductor From Oscillator To Chassis	Gang wide open.	C1C	Set Oscillator to dial scale.
3	535 KC		Gang closed	Adjust slug in T6	Set Oscillator to dial scale.
4	1260 KC		1260 KC	C1A	Align loop ant.