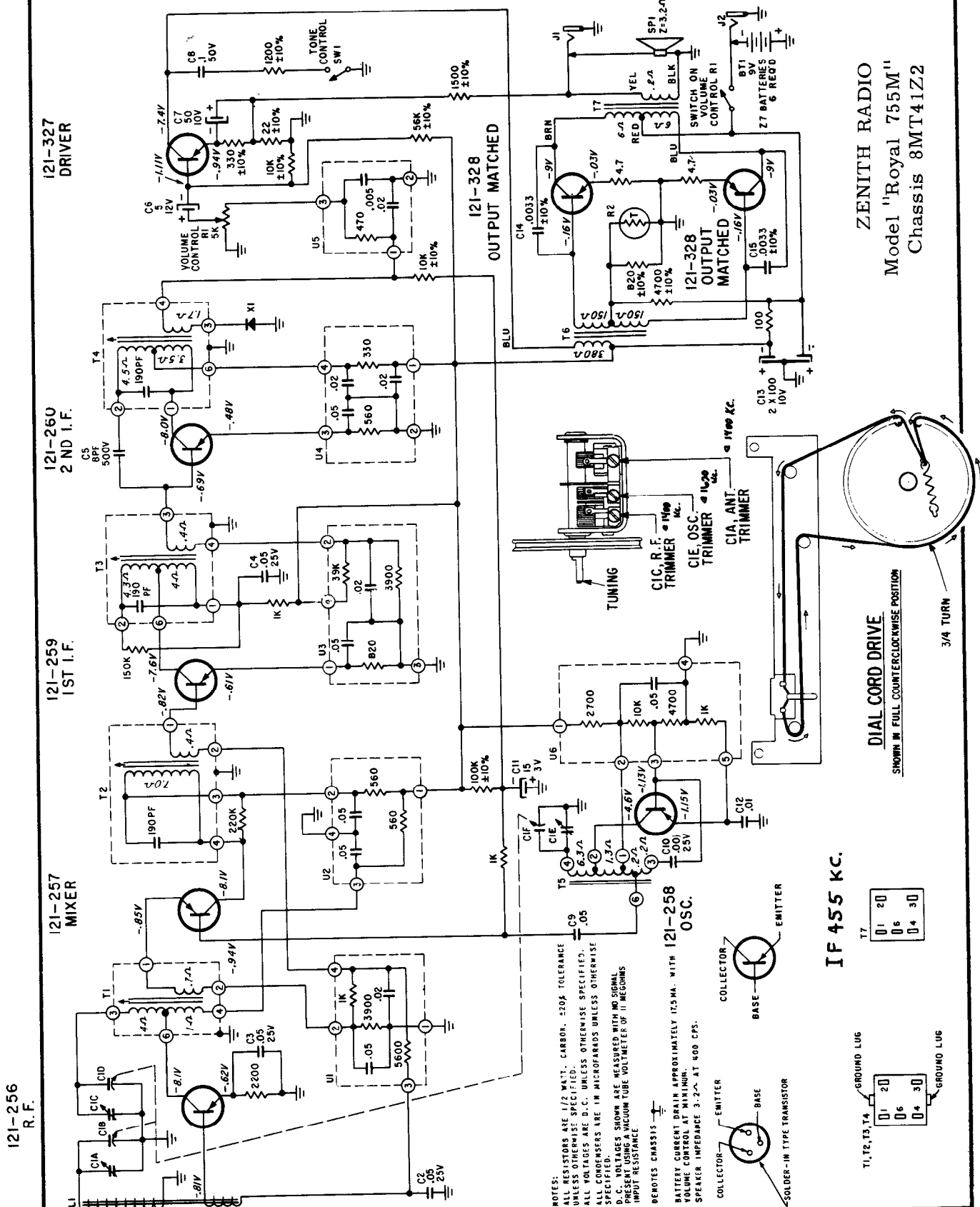


ZENITH RADIO Model "Royal 755M" Chassis 8MT41Z2



NOTES:  
 ALL RESISTORS ARE 1/2 WATT, CARBON. 20% TOLERANCE UNLESS OTHERWISE SPECIFIED.  
 ALL VOLTAGES ARE D.C. UNLESS OTHERWISE SPECIFIED.  
 ALL CAPACITORS ARE IN MICROFARADS UNLESS OTHERWISE SPECIFIED.  
 D.C. VOLTAGES SHOWN ARE MEASURED WITH NO SIGNAL PRESENT USING A MEDIUM TUBE VOLTMETER OF 11 MEGOHMS INPUT RESISTANCE

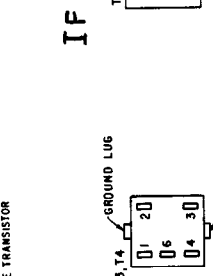
EMITTER  
 BASE  
 COLLECTOR

EMITTER  
 BASE  
 COLLECTOR

EMITTER  
 BASE  
 COLLECTOR

GROUND LUG

GROUND LUG



T7	01	20
	06	30
	04	30

T1, T2, T3, T4	01	20
	06	30
	04	30